

Dell™ Inspiron™

# ADVANCED PORT REPLICATOR USER'S GUIDE

## **Notes, Notices, and Cautions**

Throughout this guide, blocks of text may be accompanied by an icon and printed in bold type or in italic type. These blocks are notes, notices, and cautions, and they are used as follows:



*NOTE: A NOTE indicates important information that helps you make better use of your computer system.*

**NOTICE: A NOTICE indicates either potential damage to hardware or loss of data and tells you how to avoid the problem.**



**CAUTION: A CAUTION indicates a potentially hazardous situation which, if not avoided, may result in minor or moderate injury.**

---

**Information in this document is subject to change without notice.  
© 1999–2000 Dell Computer Corporation. All rights reserved.**

Reproduction in any manner whatsoever without the written permission of Dell Computer Corporation is strictly forbidden.

Trademarks used in this text: *Dell*, the *DELL* logo, *BE DIRECT*, *Inspiron*, and *DellWare* are trademarks of Dell Computer Corporation; *Microsoft*, *Windows*, and *Windows NT* are registered trademarks of Microsoft Corporation; *3Com* is a registered trademark of 3Com Corporation.

Other trademarks and trade names may be used in this document to refer to either the entities claiming the marks and names or their products. Dell Computer Corporation disclaims any proprietary interest in trademarks and trade names other than its own.

February 2000 P/N 9498T Rev. A01



# Contents

|  |      |
|--|------|
| APR I/O Connectors . . . . .                                 | 1-1  |
| APR Controls and Indicators . . . . .                        | 1-3  |
| Connecting External Devices to the APR . . . . .             | 1-4  |
| Connecting the Computer to the APR. . . . .                  | 1-4  |
| Docking the Computer. . . . .                                | 1-5  |
| Undocking the Computer. . . . .                              | 1-6  |
| Monitor Stand . . . . .                                      | 1-7  |
| Safety Instructions. . . . .                                 | 1-8  |
| Technical Specifications . . . . .                           | 1-9  |
| Regulatory Notices . . . . .                                 | 1-11 |
| FCC Notices (U.S. Only) . . . . .                            | 1-12 |
| Class A . . . . .  | 1-12 |
| Class B . . . . .  | 1-13 |
| IC Notice (Canada Only) . . . . .                            | 1-13 |
| CE Notice (European Union). . . . .                          | 1-14 |
| EN 55022 Compliance (Czech Republic Only) . . . . .          | 1-14 |
| VCCI Notice (Japan Only) . . . . .                           | 1-14 |
| Class A ITE . . . . .  | 1-15 |
| Class B ITE . . . . .  | 1-15 |
| MOC Notice (South Korea Only) . . . . .                      | 1-16 |
| Class A Device . . . . .                                     | 1-16 |
| Class B Device . . . . .                                     | 1-17 |
| Polish Center for Testing and Certification Notice . . . . . | 1-17 |
| Wymagania Polskiego Centrum Badań i Certyfikacji. . . . .    | 1-17 |
| Pozostałe instrukcje bezpieczeństwa. . . . .                 | 1-18 |
| NOM Information (Mexico Only) . . . . .                      | 1-18 |
| Información para NOM (únicamente para México) . . . . .      | 1-19 |
| Warranty and Return Policy. . . . .                          | 1-20 |
| Three-Year Limited Warranty (U.S. Only) . . . . .            | 1-20 |

|   |      |
|---|------|
| Coverage During Year One . . . . .                                  | 1-20 |
| Coverage During Years Two and Three . . . . .                       | 1-21 |
| General Provisions . . . . .  | 1-21 |
| Three-Year Limited Warranty (Canada Only) . . . . .                 | 1-22 |
| Coverage During Year One . . . . .                                  | 1-22 |
| Coverage During Years Two and Three . . . . .                       | 1-23 |
| General Provisions . . . . .  | 1-23 |
| “Total Satisfaction” Return Policy (U.S. and Canada Only) . . . . . | 1-24 |

**Figures**

|   |      |
|---|------|
| Figure 1-1. I/O Connectors on the Back of the APR . . . . . | 1-2  |
| Figure 1-2. Audio Line-Out Connector . . . . .              | 1-3  |
| Figure 1-3. Controls and Indicators . . . . .               | 1-3  |
| Figure 1-4. Docking the Computer . . . . .                  | 1-5  |
| Figure 1-5. Undocking the Computer . . . . .                | 1-6  |
| Figure 1-6. APR With the Monitor Stand . . . . .            | 1-7  |
| Figure 1-7. VCCI Class A ITE Regulatory Mark . . . . .      | 1-15 |
| Figure 1-8. VCCI Class B ITE Regulatory Mark . . . . .      | 1-15 |
| Figure 1-9. MOC Class A Regulatory Mark . . . . .           | 1-16 |
| Figure 1-10. MOC Class B Regulatory Mark . . . . .          | 1-17 |

**Tables**

|   |     |
|---|-----|
| Table 1-1. External I/O Connectors . . . . .  | 1-2 |
| Table 1-2. Technical Specifications . . . . . | 1-9 |



# **Dell™ Inspiron™ Advanced Port Replicator User's Guide**

The advanced port replicator (APR) integrates your computer quickly and easily into a desktop environment. Use the instructions in this document to attach external devices to the APR and to connect your computer to the APR.

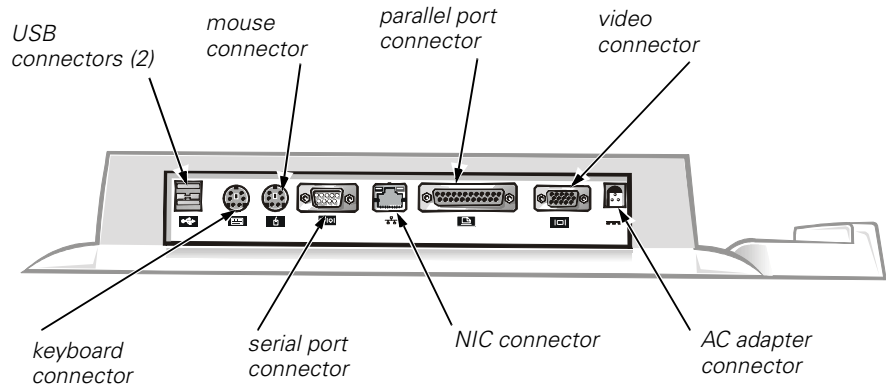


*NOTE: If you received a basic input/output system (BIOS) upgrade diskette with your APR, use the diskette to upgrade the BIOS on your computer before attaching it to the APR. For instructions, see the documentation that came with the BIOS upgrade diskette.*

**NOTICE: Do not attempt to lift the computer while it is docked in the APR. Doing so will damage the docking connector. For instructions, refer to "Undocking the Computer," found later in this guide.**

## **APR I/O Connectors**









The input/output (I/O) connectors on the back and side of the APR (see Figures 1-1 and 1-2) duplicate the primary connectors on the back and side of your computer.



**Figure 1-1. I/O Connectors on the Back of the APR**

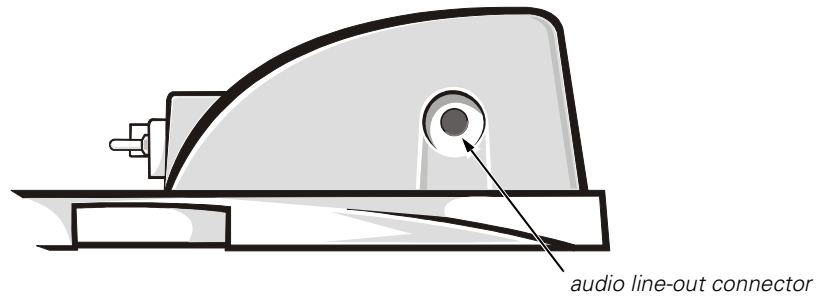
Table 1-1 shows the icons for each of the connectors on the back of the APR and indicates the type of external device(s) that you can attach to each connector.

**Table 1-1. External I/O Connectors**

| Connector Icon  | Connector Description   |
|---|---|
|    | One or two USB devices, such as a USB mouse, can be connected to the dual USB connectors.                 |
|    | An external PS/2-style keyboard or external numeric keypad can be connected to the keyboard connector.    |
|  | An external PS/2-compatible mouse can be connected to the PS/2 mouse connector.                           |
|  | A serial device, such as a serial mouse or external modem, can be connected to the serial port connector. |
|  | A network interface cable can be connected to the NIC connector.  |
|  | A parallel device, such as a printer, can be connected to the parallel port connector.                    |
|  | An external monitor can be connected to the video connector.  |
|  | The AC adapter that came with the APR can be connected to the AC adapter connector.                       |

*NOTE: For the full name of an abbreviation or acronym used in this table, see the Glossary in the system Help.*

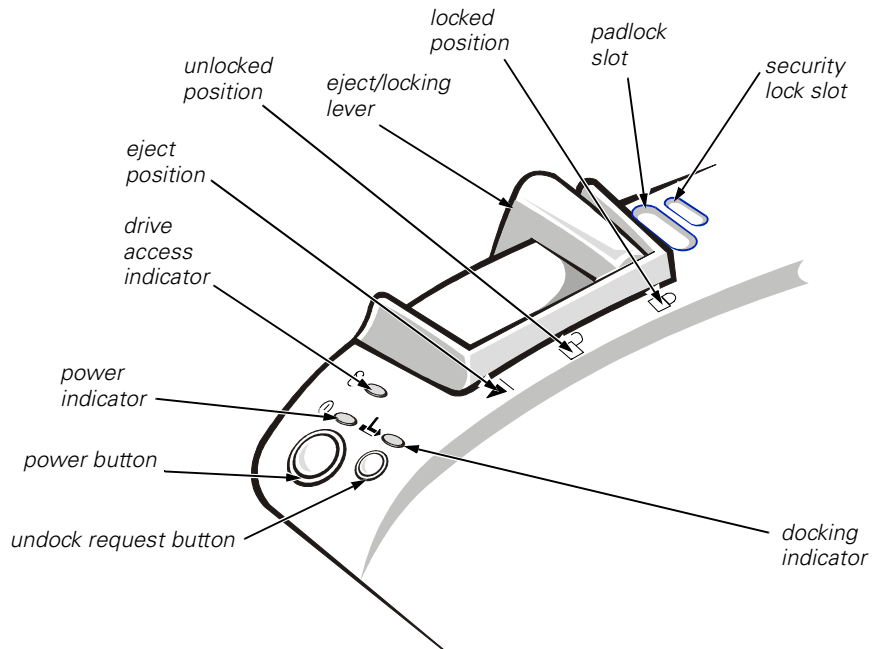
The audio line-out connector is on the side of the APR (see Figure 1-2).



**Figure 1-2. Audio Line-Out Connector**

## **APR Controls and Indicators**

The controls and indicators on the APR are shown in Figure 1-3.



**Figure 1-3. Controls and Indicators**

## Connecting External Devices to the APR

To attach external devices to the APR, perform the following steps:

1. Refer to Figure 1-1 to attach external devices to the appropriate connectors on the back of the APR.



*NOTE: If the cable connector from the external device has thumbscrews, be sure to tighten them to ensure a proper connection.*

For detailed information on using external devices with your computer, see “Connecting External Devices” in the system *Help*.

2. Connect the external devices to an electrical outlet, if applicable.

## Connecting the Computer to the APR

You must attach an AC adapter to the APR before you dock and turn on the computer. The AC adapter powers the APR and the computer at the same time. Any battery installed in the computer charges while you use the APR.

**NOTICE: Always use the Dell AC adapter that came with the APR. (Look for model number PA-6 on the bottom of the AC adapter.) If you use any other commercially available AC adapter—or the AC adapter from earlier models of Dell computers—you may damage the APR or the computer.**

Before you initially connect your computer to the APR, the operating system must complete its setup process. To verify that the operating system has completed the setup process, perform the following steps:

1. Be sure that the computer is not docked in the APR.
2. Turn on the computer.
3. Verify that your computer’s operating system completes the setup process. For instructions, refer to the *Setup Guide* that accompanied your computer.
4. Turn off the computer.

You can now connect your computer to the APR as described in the following subsection, “Docking the Computer.”



## Docking the Computer

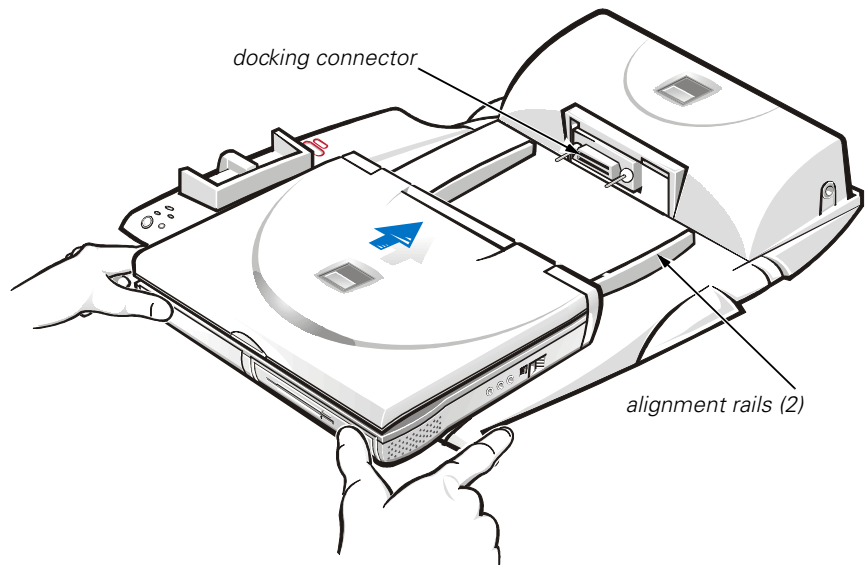
To connect (or *dock*) your computer to the APR, perform the following steps:

1. Verify that the operating system has completed the setup process. For instructions, refer to the *Setup Guide* that accompanied your computer.
2. Save and close all open files, exit all open application programs, and shut down the computer.
3. If you have not already done so, connect the AC adapter to the connector on the APR (see Figure 1-1), and plug the AC power cable into an electrical outlet.
4. Horizontally center the computer on the APR platform, with the back of the computer facing the APR's docking connector, as shown in Figure 1-4.
5. Slide the computer toward the connector until you feel the grooves on the bottom of the computer engage with the alignment rails.

**NOTICE: If you attempt to push the computer all the way into the APR without engaging the alignment rails, you may irreparably damage the docking connector on the computer.**

*NOTE: If you have a monitor stand installed, you will not be able to see the alignment rails or the docking connector.*

6. Gently push the computer forward until the docking connector is fully engaged.



**Figure 1-4. Docking the Computer**

## Undocking the Computer

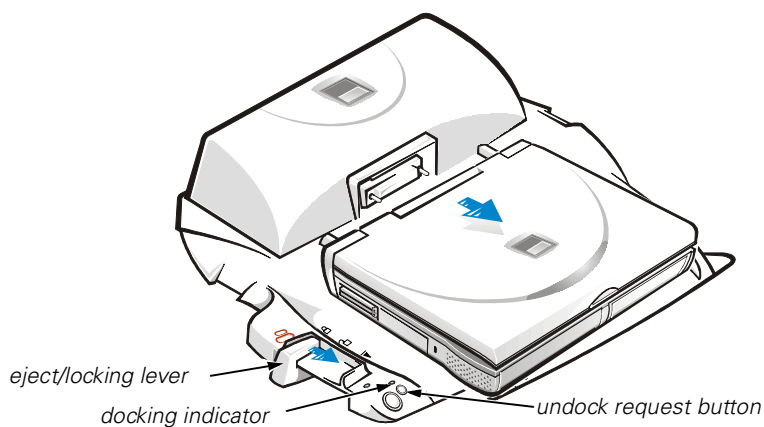
Perform the following steps to disconnect the computer from the APR:

1. Save and close all open files and exit all open application programs.

**NOTICE: If the computer does not have a charged battery, the computer turns off when you detach the computer from the APR, and all unsaved data is lost.**

**NOTICE: Never undock the computer and the APR without first preparing the computer. Any of the three following methods prepares the operating system, network, and storage devices for undocking by completing data transfers. If you undock the computer before these transfers are completed, you will lose data and the computer may not recover normal operation for several minutes, if at all.**

2. To prepare the computer for undocking, perform one of the following procedures:
  - Press <Fn><Esc> on the computer's keyboard (or press <Scroll Lock><Esc> on an external keyboard).  
After a few seconds, the power indicator on the computer turns off.
  - If you are using the Microsoft® Windows® 98 or Windows 2000 operating system, click the **Start** button, and then click **Eject PC**. If you are using the Microsoft Windows NT® operating system, click the docking icon and then click **Undock** to place the computer in standby mode.  
After a few seconds, the power indicator on the computer turns off.
  - Press the undock request button on the APR (see Figure 1-5).  
The green docking indicator turns off.
3. Slide the eject/locking lever on the left side of the APR (see Figure 1-5) to the eject position to undock the computer.



**Figure 1-5. Undocking the Computer**

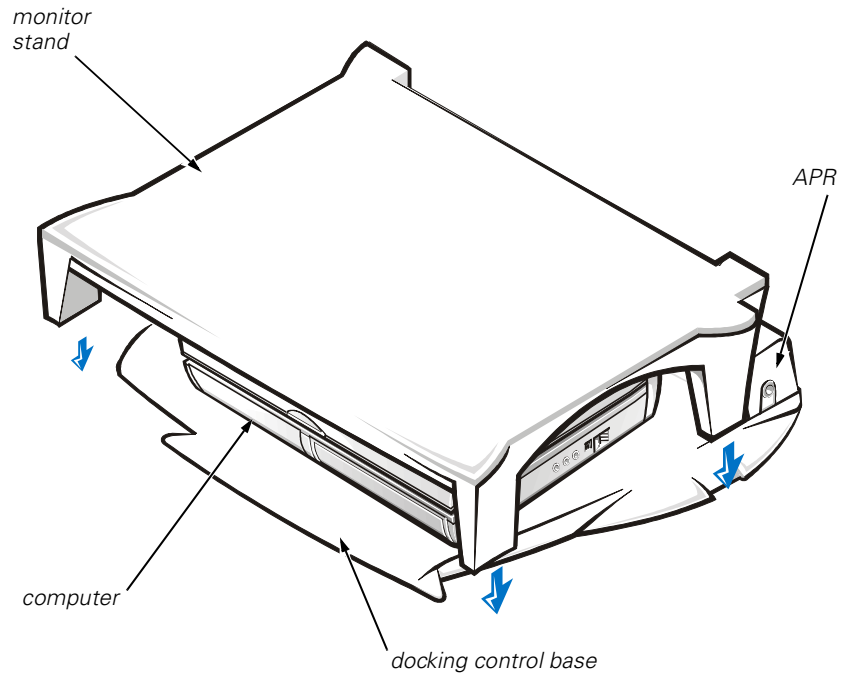
# Monitor Stand

The monitor stand setup is shown in Figure 1-6.

**NOTICE: The stand supports monitors that weigh up to 45.3 kilograms (kg) (100 pounds [lb]). Heavier monitors may damage the stand, computer, and APR.**



*NOTE: Be sure that the back legs on the monitor stand engage the slots on either side of the docking control base.*



**Figure 1-6. APR With the Monitor Stand**

# Safety Instructions

Use the following safety guidelines to help protect your APR from potential damage and to help ensure your own personal safety:

- Do not attempt to service the APR yourself. Always follow installation instructions closely.
- Be sure that nothing rests on your AC adapter's power cable.
- Be sure that the cable is not located where it can be tripped over or stepped on.
- Place the AC adapter in a ventilated area, such as a desktop or on the floor, when powering the APR. Do not cover the AC adapter with papers or other items that will reduce cooling. Do not use the AC adapter inside a carrying case.
- Do not use your APR in a wet environment, for example, near a bathtub, sink, or swimming pool or in a wet basement.
- Do not push objects into air vents or openings of your APR. Doing so can cause fire or electric shock by shorting out interior components.
- Use only the AC adapter that is approved for use with this APR as indicated in this document. Use of another type of AC adapter may risk fire or explosion.
- Before you connect the APR to a power source, ensure that the voltage rating of the AC adapter matches that of the available power source:
  - 115 volts (V)/60 hertz (Hz) in most of North and South America and some Far Eastern countries such as South Korea and Taiwan
  - 100 V/50 Hz in eastern Japan and 100 V/60 Hz in western Japan
  - 230 V/50 Hz in most of Europe, the Middle East and the Far East
- To help prevent electric shock, plug the AC adapter and peripheral power cables into properly grounded electrical outlets. These cables are equipped with 3-prong plugs to help ensure proper grounding. Do not use adapter plugs or remove the grounding prong from a cable. If you must use an extension cable, use a 3-wire cable with properly grounded plugs.
- If you use an extension cable with your AC adapter, ensure that the total ampere rating of the products plugged into the extension cable does not exceed the ampere rating of the extension cable.
- To remove power from the APR, turn off the computer and disconnect the AC adapter from the electrical outlet.
- To help avoid the potential hazard of electric shock, do not connect or disconnect any cables or perform maintenance or reconfiguration of this product during an electrical storm.
- When setting up the APR for work, place it on a level surface.
- Protect your APR from environmental hazards such as dirt, dust, food, liquids, temperature extremes, and overexposure to sunlight.
- When you move your APR between environments with very different temperature or humidity ranges, condensation may form on or within the

computer. To avoid damaging the APR, allow sufficient time for the moisture to evaporate before using the computer.

**NOTICE: When taking the APR from low-temperature conditions into a warmer environment or from high-temperature conditions into a cooler environment, allow the APR to acclimate to room temperature before turning on power.**

- When you disconnect a cable, pull on its connector or on its strain-relief loop, not on the cable itself. As you pull out the connector, keep it evenly aligned to avoid bending any connector pins. Also, before you connect a cable make sure both connectors are correctly oriented and aligned.
- Before you clean your APR, turn it off and unplug it from the electrical outlet.
- Clean your APR with a soft cloth dampened with water rather than with liquid or aerosol cleaners.
- If your APR gets wet or is damaged, follow the procedures described in Chapter 3, "Troubleshooting," of the *Reference and Troubleshooting Guide*. If, after following these procedures, you confirm that your APR is not operating properly, contact Dell Computer Corporation. (See Chapter 5, "Getting Help," in the *Reference and Troubleshooting Guide* for the appropriate telephone number.)

## Technical Specifications

Table 1-2 lists the technical specifications for the APR.

**Table 1-2. Technical Specifications**

| Physical                     |                       |
|------------------------------|-----------------------|
| Height:                      |                       |
| With monitor stand . . . . . | 10.2 cm (4.0 inches)  |
| Stand-alone . . . . .        | 5.8 cm (2.3 inches)   |
| Depth:                       |                       |
| With monitor stand . . . . . | 39.0 cm (15.4 inches) |
| Stand-alone . . . . .        | 35.8 cm (14.1 inches) |
| Width:                       |                       |
| With monitor stand . . . . . | 37.5 cm (14.8 inches) |
| Stand-alone . . . . .        | 40.9 cm (16.1 inches) |

*NOTE: For the full name of an abbreviation or acronym used in this table, see the Glossary in the system Help.*

**Table 1-2. Technical Specifications** (continued)

| <b>Physical</b> (continued)         |   |
|-------------------------------------|---|
| Weight:                             |   |
| With monitor stand . . . . .        | 3.0 kg (6.5 lb)   |
| Stand-alone . . . . .               | 1.6 kg (3.5 lb)   |
| <b>I/O Connectors</b>               |   |
| Serial (DTE) . . . . .              | 9-pin connector   |
| Parallel . . . . .                  | 25-hole connector   |
| PS/2-style keyboard/keypad. . . . . | 6-hole PS/2 keyboard connector                              |
| PS/2-compatible mouse. . . . .      | 6-hole PS/2 mouse connector                                 |
| Video . . . . .                     | 15-hole connector   |
| Audio . . . . .                     | speaker-out (for optional headphones)                       |
| USB (dual) . . . . .                | two 4-pin connectors  |
| DC-IN . . . . .                     | one connector   |
| Docking connector. . . . .          | 240-pin connector   |
| NIC. . . . .                        | RJ-45 connector   |
| <b>Ethernet Network Controller</b>  |   |
| Chip set . . . . .                  | 3Com <sup>®</sup> 3C920; 10/100 BASE-TX<br>(PC98-compliant) |
| Data bus width. . . . .             | 32-bit PCI host bus interface                               |
| IRQ. . . . .                        | IRQ10   |
| <b>Power</b>                        |   |
| Voltage. . . . .                    | requires 20 VDC from AC adapter                             |
| Amperage . . . . .                  | 3.5 A   |

*NOTE: For the full name of an abbreviation or acronym used in this table, see the Glossary in the system Help.*

## Regulatory Notices

Electromagnetic Interference (EMI) is any signal or emission, radiated in free space or conducted along power or signal leads, that endangers the functioning of a radio navigation or other safety service or seriously degrades, obstructs, or repeatedly interrupts a licensed radio communications service. Radio communications services include but are not limited to AM/FM commercial broadcast, television, cellular services, radar, air-traffic control, pager, and Personal Communication Services (PCS). These licensed services, along with unintentional radiators such as digital devices, including computer systems, contribute to the electromagnetic environment.

Electromagnetic Compatibility (EMC) is the ability of items of electronic equipment to function properly together in the electronic environment. While this computer system has been designed and determined to be compliant with regulatory agency limits for EMI, there is no guarantee that interference will not occur in a particular installation. If this equipment does cause interference with radio communications services, which can be determined by turning the equipment off and on, you are encouraged to try to correct the interference by one or more of the following measures:

- Reorient the receiving antenna.
- Relocate the computer with respect to the receiver.
- Move the computer away from the receiver.
- Plug the computer into a different outlet so that the computer and the receiver are on different branch circuits.

If necessary, consult a Technical Support representative of Dell Computer Corporation or an experienced radio/television technician for additional suggestions. You may find the *FCC Interference Handbook, 1986*, to be helpful. It is available from the U.S. Government Printing Office, Washington, DC 20402, Stock No. 004-000-00450-7 or on the World Wide Web at <http://www.fcc.gov/Bureaus/Compliance/WWW/tvibook.html>.

Dell computer systems are designed, tested, and classified for their intended electromagnetic environment. These electromagnetic environment classifications generally refer to the following harmonized definitions:

- Class A is typically for business or industrial environments.
- Class B is typically for residential environments.

Information Technology Equipment (ITE), including peripherals, expansion cards, printers, input/output (I/O) devices, monitors, and so on, that are integrated into or connected to the system should match the electromagnetic environment classification of the computer system.

**A Notice About Shielded Signal Cables: Use only shielded cables for connecting peripherals to any Dell device to reduce the possibility of interference with radio communications services. Using shielded cables ensures that you maintain the appropriate EMC classification for the intended environment. For parallel printers, a cable is available from Dell Computer Corporation. If you prefer, you can order a cable from**

**Dell Computer Corporation on the World Wide Web at <http://www.dell.com/products/dellware/index.htm>.**

**A Notice About Networked Computer Systems: Some Dell computer systems that are classified for Class B environments may include an on-board network interface controller (NIC). If your Class B system contains a NIC, it may be considered to be a Class A system at the time that the NIC is connected to a network. When the NIC is not connected to a network, your system is considered to be a Class B digital device.**

Most Dell computer systems are classified for Class B environments. To determine the electromagnetic classification for your system or device, refer to the following sections specific for each regulatory agency. Each section provides country-specific EMC/EMI or product safety information.

### **FCC Notices (U.S. Only)**

Most Dell computer systems are classified by the Federal Communications Commission (FCC) as Class B digital devices. However, the inclusion of certain options can change the rating of some configurations to Class A. To determine which classification applies to your computer system, examine all FCC registration labels located on the bottom or back panel of your computer, on card-mounting brackets, and on the cards themselves. If any one of the labels carries a Class A rating, your entire system is considered to be a Class A digital device. If *all* labels carry an FCC Class B rating as distinguished by either an FCC ID number or the FCC logo, (FCC), your system is considered to be a Class B digital device.

Once you have determined your system's FCC classification, read the appropriate FCC notice. Note that FCC regulations provide that changes or modifications not expressly approved by Dell Computer Corporation could void your authority to operate this equipment.

This device complies with Part 15 of the FCC Rules. Operation is subject to the following two conditions:

- This device may not cause harmful interference.
- This device must accept any interference received, including interference that may cause undesired operation.

### **Class A**

This equipment has been tested and found to comply with the limits for a Class A digital device pursuant to Part 15 of the FCC Rules. These limits are designed to provide reasonable protection against harmful interference when the equipment is operated in a commercial environment. This equipment generates, uses, and can radiate radio frequency energy and, if not installed and used in accordance with the manufacturer's instruction manual, may cause harmful interference with radio communications. Operation of this equipment in a residential area is likely to cause harmful interference, in which case you will be required to correct the interference at your own expense.



## **Class B**

This equipment has been tested and found to comply with the limits for a Class B digital device pursuant to Part 15 of the FCC Rules. These limits are designed to provide reasonable protection against harmful interference in a residential installation. This equipment generates, uses, and can radiate radio frequency energy and, if not installed and used in accordance with the manufacturer's instruction manual, may cause interference with radio communications. However, there is no guarantee that interference will not occur in a particular installation. If this equipment does cause harmful interference to radio or television reception, which can be determined by turning the equipment off and on, you are encouraged to try to correct the interference by one or more of the following measures:

- Reorient or relocate the receiving antenna.
- Increase the separation between the equipment and the receiver.
- Connect the equipment into an outlet on a circuit different from that to which the receiver is connected.
- Consult the dealer or an experienced radio/television technician for help.

The following information is provided on the device or devices covered in this document in compliance with FCC regulations:

- Model number: PRX
- Company name: Dell Computer Corporation  
EMC Engineering Department  
One Dell Way  
Round Rock, Texas 78682 USA  
512-338-4400

## **IC Notice (Canada Only)**

Most Dell computer systems (and other Dell digital apparatus) are classified by the Industry Canada (IC) Interference-Causing Equipment Standard #3 (ICES-003) as Class B digital devices. To determine which classification (Class A or B) applies to your computer system (or other Dell digital apparatus), examine all registration labels located on the bottom or the back panel of your computer (or other digital apparatus). A statement in the form of "IC Class A ICES-003" or "IC Class B ICES-003" will be located on one of these labels. Note that Industry Canada regulations provide that changes or modifications not expressly approved by Dell Computer Corporation could void your authority to operate this equipment.

This Class B (or Class A, if so indicated on the registration label) digital apparatus meets the requirements of the Canadian Interference-Causing Equipment Regulations.

Cet appareil numérique de la Classe B (ou Classe A, si ainsi indiqué sur l'étiquette d'enregistrement) respecte toutes les exigences du Règlement sur le Matériel Brouilleur du Canada.

## **CE Notice (European Union)**

Marking by the symbol **CE** indicates compliance of this Dell system to the EMC Directive and the Low Voltage Directive of the European Union. Such marking is indicative that this Dell system meets the following technical standards:

- EN 55022 — “Limits and Methods of Measurement of Radio Interference Characteristics of Information Technology Equipment.”
- EN 50082-1: 1992 — “Electromagnetic compatibility—Generic immunity standard Part 1: Residential, commercial, and light industry.”
- EN 60950 — “Safety of Information Technology Equipment.”



*NOTE: EN 55022 emissions requirements provide for two classifications:*

- *Class A is for typical commercial areas.*
- *Class B is for typical domestic areas.*

This Dell device is classified for use in a typical Class B domestic environment.

A “Declaration of Conformity” in accordance with the preceding directives and standards has been made and is on file at Dell Products Europe BV, Limerick, Ireland.

## **EN 55022 Compliance (Czech Republic Only)**

This device belongs to Class B devices as described in EN 55022, unless it is specifically stated that it is a Class A device on the specification label. The following applies to devices in Class A of EN 55022 (radius of protection up to 30 meters). The user of the device is obliged to take all steps necessary to remove sources of interference to telecommunication or other devices.

**Pokud není na typovém štítku počítače uvedeno, že spadá do třídy A podle EN 55022, spadá automaticky do třídy B podle EN 55022. Pro zařízení zařazená do třídy A (ochranné pásmo 30m) podle EN 55022 platí následující. Dojde-li k rušení telekomunikačních nebo jiných zařízení, je uživatel povinen provést taková opatření, aby rušení odstranil.**

## **VCCI Notice (Japan Only)**

Most Dell computer systems are classified by the Voluntary Control Council for Interference (VCCI) as Class B information technology equipment (ITE). However, the inclusion of certain options can change the rating of some configurations to Class A. ITE, including peripherals, expansion cards, printers, input/output (I/O) devices, monitors, and so on, integrated into or connected to the system, should match the electromagnetic environment classification (Class A or B) of the computer system.

To determine which classification applies to your computer system, examine the regulatory labels/markings (see Figures 1-7 and 1-8) located on the bottom or back panel of your computer. Once you have determined your system’s VCCI classification, read the appropriate VCCI notice.

## Class A ITE

この装置は、情報処理装置等電波障害自主規制協議会（VCCI）の基準に基づくクラス A 情報技術装置です。この装置を家庭環境で使用すると電波妨害を引き起こすことがあります。この場合には使用者が適切な対策を講ずるよう要求されることがあります。

This is a Class A product based on the standard of the Voluntary Control Council for Interference (VCCI) for information technology equipment. If this equipment is used in a domestic environment, radio disturbance may arise. When such trouble occurs, the user may be required to take corrective actions.

## VCCI-A

**Figure 1-7. VCCI Class A ITE Regulatory Mark**

## Class B ITE

この装置は、情報処理装置等電波障害自主規制協議会（VCCI）の基準に基づくクラス B 情報技術装置です。この装置は家庭環境で使用することを目的としていますが、ラジオやテレビジョン受信機に近接して使用されると、受信障害を引き起こすことがあります。  
取扱説明書に従って正しい取り扱いをしてください。

This is a Class B product based on the standard of the Voluntary Control Council for Interference (VCCI) for information technology equipment. If this equipment is used near a radio or television receiver in a domestic environment, it may cause radio interference. Install and use the equipment according to the instruction manual.



**Figure 1-8. VCCI Class B ITE Regulatory Mark**

## MOC Notice (South Korea Only)

To determine which classification (Class A or B) applies to your computer system (or other Dell digital device), examine the South Korean Ministry of Communications (MOC) registration labels located on your computer (or other Dell digital device). The MOC label may be located separately from the other regulatory marking applied to your product. The English text, "EMI (A)," for Class A products, or "EMI (B)" for Class B products, appears in the center of the MOC label (see Figures 1-9 and 1-10).



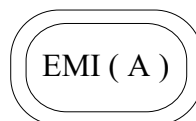
*NOTE: MOC emissions requirements provide for two classifications:*

- *Class A devices are for business purposes.*
- *Class B devices are for nonbusiness purposes.*

### Class A Device

| 장치 종류  | 사용자 안내문  |
|--------|--|
| A 급 기기 | 이 장치는 업무용으로 전자파 적합등록을 한 장치이오니 판매자 또는 사용자는 이 점을 주의하시기 바라며 만약 잘못 판매 또는 구입하였을 때에는 가정용으로 교환하시기 바랍니다. |

Please note that this device has been approved for business purposes with regard to electromagnetic interference. If you find that this device is not suitable for your use, you may exchange it for a nonbusiness device.

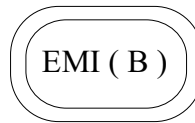


**Figure 1-9. MOC Class A Regulatory Mark**

## Class B Device

| 장치 종류 | 사용자 안내문   |
|-------|---|
| B급 기기 | 이 장치는 가정용으로 전자파 적합등록을 한 장치로서 주거지역에서는 물론 모든 지역에서 사용할 수 있습니다. |

Please note that this device has been approved for nonbusiness purposes and may be used in any environment, including residential areas.



**Figure 1-10. MOC Class B Regulatory Mark**

### **Polish Center for Testing and Certification Notice**

The equipment should draw power from a socket with an attached protection circuit (a three-prong socket). All equipment that works together (computer, monitor, printer, and so on) should have the same power supply source.

The phasing conductor of the room's electrical installation should have a reserve short-circuit protection device in the form of a fuse with a nominal value no larger than 16 amperes (A).

To completely switch off the equipment, the power supply cable must be removed from the power supply socket, which should be located near the equipment and easily accessible.

A protection mark "B" confirms that the equipment is in compliance with the protection usage requirements of standards PN-93/T-42107 and PN-EN55022:1996.

### **Wymagania Polskiego Centrum Badań i Certyfikacji**

Urządzenie powinno być zasilane z gniazda z przyłączonym obwodem ochronnym (gniazdo z kołkiem). Współpracujące ze sobą urządzenia (komputer, monitor, drukarka) powinny być zasilane z tego samego źródła.

Instalacja elektryczna pomieszczenia powinna zawierać w przewodzie fazowym rezerwową ochronę przed zwarciami, w postaci bezpiecznika o wartości znamionowej nie większej niż 16A (amperów).

W celu całkowitego wyłączenia urządzenia z sieci zasilania, należy wyjąć wtyczkę kabla zasilającego z gniazdko, które powinno znajdować się w pobliżu urządzenia i być łatwo dostępne.

Znak bezpieczeństwa "B" potwierdza zgodność urządzenia z wymaganiami bezpieczeństwa użytkownika zawartymi w PN-93/T-42107 i PN-EN55022:1996.

## Pozostałe instrukcje bezpieczeństwa

- Nie należy używać wtyczek adapterowych lub usuwać kołka obwodu ochronnego z wtyczki. Jeżeli konieczne jest użycie przedłużacza to należy użyć przedłużacza 3-żyłowego z prawidłowo połączonym przewodem ochronnym.
- System komputerowy należy zabezpieczyć przed nagłymi, chwilowymi wzrostami lub spadkami napięcia, używając eliminatora przepięć, urządzenia dopasowującego lub bezzakłócenowego źródła zasilania.
- Należy upewnić się, aby nic nie leżało na kablach systemu komputerowego, oraz aby kable nie były umieszczone w miejscu, gdzie można byłoby na nie nadeptywać lub potykać się o nie.
- Nie należy rozlewać napojów ani innych płynów na system komputerowy.
- Nie należy wpychać żadnych przedmiotów do otworów systemu komputerowego, gdyż może to spowodować pożar lub porażenie prądem, poprzez zwarcie elementów wewnętrznych.
- System komputerowy powinien znajdować się z dala od grzejników i źródeł ciepła. Ponadto, nie należy blokować otworów wentylacyjnych. Należy uniknąć kładzenia luźnych papierów pod komputer oraz umieszczania komputera w ciasnym miejscu bez możliwości cyrkulacji powietrza wokół niego.

## **NOM Information (Mexico Only)**

The following information is provided on the device(s) described in this document in compliance with the requirements of the official Mexican standards (NOM):

|                          |   |
|--------------------------|---|
| Exporter:                | Dell Computer Corporation<br>One Dell Way<br>Round Rock, TX 78682   |
| Importer:                | Dell Computer de México,<br>S.A. de C.V.<br>Rio Lerma No. 302 - 4° Piso<br>Col. Cuauhtemoc<br>16500 México, D.F.  |
| Ship to:                 | Dell Computer de México,<br>S.A. de C.V. al Cuidado<br>de Kuehne & Nagel de<br>México S. de R.l.<br>Avenida Soles No. 55<br>Col. Peñon de los Baños<br>15520 México, D.F. |
| Supply voltage:          | 100–240 VAC   |
| Frequency:               | 60–50 Hz  |
| Input<br>current rating: | 1.5 A   |

## **Información para NOM (únicamente para México)**

La información siguiente se proporciona en el dispositivo o en los dispositivos descritos en este documento, en cumplimiento con los requisitos de la Norma Oficial Mexicana (NOM):

|                          |   |
|--------------------------|---|
| Exportador:              | Dell Computer Corporation<br>One Dell Way<br>Round Rock, TX 78682   |
| Importador:              | Dell Computer de México,<br>S.A. de C.V.<br>Rio Lerma No. 302 - 4° Piso<br>Col. Cuauhtemoc<br>16500 México, D.F.  |
| Embarcar a:              | Dell Computer de México,<br>S.A. de C.V. al Cuidado<br>de Kuehne & Nagel de<br>México S. de R.l.<br>Avenida Soles No. 55<br>Col. Peñon de los Baños<br>15520 México, D.F. |
| Tensión<br>alimentación: | 100–240 VAC   |
| Frecuencia:              | 60–50 Hz  |
| Consumo de<br>corriente: | 1.5 A   |

# Warranty and Return Policy

## Three-Year Limited Warranty (U.S. Only)

Dell Computer Corporation (“Dell”) manufactures its hardware products from parts and components that are new or equivalent to new in accordance with industry-standard practices. Dell warrants that the hardware products it manufactures will be free from defects in materials and workmanship. The limited warranty term is three years beginning on the date of invoice, as described in the following text.

Damage due to shipping the products to you is covered under this limited warranty. Otherwise, this limited warranty does not cover damage due to external causes, including accident, abuse, misuse, problems with electrical power, servicing not authorized by Dell, usage not in accordance with product instructions, failure to perform required preventive maintenance, and problems caused by use of parts and components not supplied by Dell.

This limited warranty does not cover any items that are in one or more of the following categories: software; external devices (except as specifically noted); accessories or parts added to a Dell system after the system is shipped from Dell; accessories or parts added to a Dell system through Dell’s system integration department; accessories or parts that are not installed in the Dell factory; or DellWare™ products. Monitors, keyboards, and mice that are Dell-branded or that are included on Dell’s standard price list are covered under this limited warranty; all other monitors, keyboards, and mice (including those sold through the DellWare program) are not covered. Batteries for portable computers are covered only during the initial one-year period of this limited warranty.

### Coverage During Year One

During the one-year period beginning on the invoice date, Dell will repair or replace products covered under this limited warranty that are returned to Dell’s facility. To request warranty service, you must call Dell’s Customer Technical Support within the warranty period. Refer to the chapter titled “Getting Help” in your system’s troubleshooting documentation or, for some systems, the section titled “Contacting Dell” in your system’s online guide to find the appropriate telephone number for obtaining customer assistance. If warranty service is required, Dell will issue a Return Material Authorization Number. You must ship the products back to Dell in their original or equivalent packaging, prepay shipping charges, and insure the shipment or accept the risk of loss or damage during shipment. Dell will ship the repaired or replacement products to you freight prepaid if you use an address in the continental U.S., where applicable. Shipments to other locations will be made freight collect.



*NOTE: Before you ship the product(s) to Dell, back up the data on the hard-disk drive(s) and any other storage device(s) in the product(s). Remove any removable media, such as diskettes, CDs, or PC Cards. Dell does not accept liability for lost data or software.*

Dell owns all parts removed from repaired products. Dell uses new and reconditioned parts made by various manufacturers in performing warranty repairs and building



replacement products. If Dell repairs or replaces a product, its warranty term is not extended.

### ***Coverage During Years Two and Three***

During the second and third years of this limited warranty, Dell will provide, on an exchange basis and subject to Dell's Exchange Policy in effect on the date of the exchange, replacement parts for the Dell hardware product(s) covered under this limited warranty when a part requires replacement. You must report each instance of hardware failure to Dell's Customer Technical Support in advance to obtain Dell's concurrence that a part should be replaced and to have Dell ship the replacement part. Dell will ship parts (freight prepaid) if you use an address in the continental U.S., where applicable. Shipments to other locations will be made freight collect. Dell will include a prepaid shipping container with each replacement part for your use in returning the replaced part to Dell. Replacement parts are new or reconditioned. Dell may provide replacement parts made by various manufacturers when supplying parts to you. The warranty term for a replacement part is the remainder of the limited warranty term.

You will pay Dell for replacement parts if the replaced part is not returned to Dell. The process for returning replaced parts, and your obligation to pay for replacement parts if you do not return the replaced parts to Dell, will be in accordance with Dell's Exchange Policy in effect on the date of the exchange.

You accept full responsibility for your software and data. Dell is not required to advise or remind you of appropriate backup and other procedures.

### ***General Provisions***

THIS LIMITED WARRANTY GIVES YOU SPECIFIC LEGAL RIGHTS WHICH VARY FROM STATE TO STATE (OR JURISDICTION TO JURISDICTION). DELL'S RESPONSIBILITY FOR MALFUNCTIONS AND DEFECTS IN HARDWARE IS LIMITED TO REPAIR AND REPLACEMENT AS SET FORTH IN THIS LIMITED WARRANTY STATEMENT. ALL EXPRESS AND IMPLIED WARRANTIES FOR THE PRODUCT, INCLUDING BUT NOT LIMITED TO ANY IMPLIED WARRANTIES OF AND CONDITIONS OF MERCHANTABILITY AND FITNESS FOR A PARTICULAR PURPOSE, ARE LIMITED IN DURATION TO THE WARRANTY PERIOD SET FORTH ABOVE AND NO WARRANTIES, WHETHER EXPRESS OR IMPLIED, WILL APPLY AFTER SUCH PERIOD.

SOME STATES (OR JURISDICTIONS) DO NOT ALLOW LIMITATIONS ON HOW LONG AN IMPLIED WARRANTY LASTS, SO THE PRECEDING LIMITATION MAY NOT APPLY TO YOU.

DELL DOES NOT ACCEPT LIABILITY BEYOND THE REMEDIES SET FORTH IN THIS LIMITED WARRANTY STATEMENT OR LIABILITY FOR INCIDENTAL OR CONSEQUENTIAL DAMAGES, INCLUDING WITHOUT LIMITATION ANY LIABILITY FOR PRODUCTS NOT BEING AVAILABLE FOR USE OR FOR LOST DATA OR SOFTWARE.

SOME STATES (OR JURISDICTIONS) DO NOT ALLOW THE EXCLUSION OR LIMITATION OF INCIDENTAL OR CONSEQUENTIAL DAMAGES, SO THE PRECEDING EXCLUSION OR LIMITATION MAY NOT APPLY TO YOU.

These provisions apply to Dell's three-year limited warranty only. For provisions of any service contract covering your system, refer to your invoice or the separate service contract that you will receive.

If Dell elects to exchange a system or component, the exchange will be made in accordance with Dell's Exchange Policy in effect on the date of the exchange. In any instance in which Dell issues a Return Material Authorization Number, Dell must receive the product(s) for repair prior to the expiration of the warranty period in order for the repair(s) to be covered by the limited warranty.



*NOTE: If you chose one of the available warranty and service options in place of the standard three-year limited warranty described in the preceding text, the option you chose will be listed on your invoice.*

### **Three-Year Limited Warranty (Canada Only)**

Dell Computer Corporation ("Dell") manufactures its hardware products from parts and components that are new or equivalent to new in accordance with industry-standard practices. Dell warrants that the hardware products it manufactures will be free from defects in materials and workmanship. The warranty term is three years beginning on the date of invoice, as described in the following text.

Damage due to shipping the products to you is covered under this limited warranty. Otherwise, this limited warranty does not cover damage due to external causes, including accident, abuse, misuse, problems with electrical power, servicing not authorized by Dell, usage not in accordance with product instructions, failure to perform required preventive maintenance, and problems caused by use of parts and components not supplied by Dell.

This limited warranty does not cover any items that are in one or more of the following categories: software; external devices (except as specifically noted); accessories or parts added to a Dell system after the system is shipped from Dell; accessories or parts added to a Dell system through Dell's system integration department; accessories or parts that are not installed in the Dell factory; or DellWare products. Monitors, keyboards, and mice that are Dell-branded or that are included on Dell's standard price list are covered under this limited warranty; all other monitors, keyboards, and mice (including those sold through the DellWare program) are not covered. Batteries for portable computers are covered only during the initial one-year period of this limited warranty.

#### **Coverage During Year One**

During the one-year period beginning on the invoice date, Dell will repair or replace products covered under this limited warranty that are returned to Dell's facility. To request warranty service, you must call Dell's Customer Technical Support within the warranty period. Refer to the chapter titled "Getting Help" in your system's troubleshooting documentation or, for some systems, the section titled "Contacting Dell" in your system's online guide to find the appropriate telephone number for obtaining customer assistance. If warranty service is required, Dell will issue a Return Material Authorization Number. You must ship the products back to Dell in their original or equivalent packaging, prepay shipping charges, and insure the shipment or accept the risk of loss or damage during shipment. Dell will ship the repaired or replacement

products to you freight prepaid if you use an address in Canada, where applicable. Shipments to other locations will be made freight collect.



*NOTE: Before you ship the product(s) to Dell, back up the data on the hard-disk drive(s) and any other storage device(s) in the product(s). Remove any removable media, such as diskettes, CDs, or PC Cards. Dell does not accept liability for lost data or software.*

Dell owns all parts removed from repaired products. Dell uses new and reconditioned parts made by various manufacturers in performing warranty repairs and building replacement products. If Dell repairs or replaces a product, its warranty term is not extended.

### **Coverage During Years Two and Three**

During the second and third years of this limited warranty, Dell will provide, on an exchange basis and subject to Dell's Exchange Policy in effect on the date of the exchange, replacement parts for the Dell hardware product(s) covered under this limited warranty when a part requires replacement. You must report each instance of hardware failure to Dell's Customer Technical Support in advance to obtain Dell's concurrence that a part should be replaced and to have Dell ship the replacement part. Dell will ship parts (freight prepaid) if you use an address in Canada, where applicable. Shipments to other locations will be made freight collect. Dell will include a prepaid shipping container with each replacement part for your use in returning the replaced part to Dell. Replacement parts are new or reconditioned. Dell may provide replacement parts made by various manufacturers when supplying parts to you. The warranty term for a replacement part is the remainder of the limited warranty term.

You will pay Dell for replacement parts if the replaced part is not returned to Dell. The process for returning replaced parts, and your obligation to pay for replacement parts if you do not return the replaced parts to Dell, will be in accordance with Dell's Exchange Policy in effect on the date of the exchange.

You accept full responsibility for your software and data. Dell is not required to advise or remind you of appropriate backup and other procedures.

### **General Provisions**

DELL MAKES NO EXPRESS WARRANTIES OR CONDITIONS BEYOND THOSE STATED IN THIS LIMITED WARRANTY STATEMENT. DELL DISCLAIMS ALL OTHER WARRANTIES AND CONDITIONS, EXPRESS OR IMPLIED, INCLUDING WITHOUT LIMITATION IMPLIED WARRANTIES AND CONDITIONS OF MERCHANTABILITY AND FITNESS FOR A PARTICULAR PURPOSE. SOME STATES (OR JURISDICTIONS) DO NOT ALLOW LIMITATIONS ON IMPLIED WARRANTIES OR CONDITIONS, SO THIS LIMITATION MAY NOT APPLY TO YOU.

DELL'S RESPONSIBILITY FOR MALFUNCTIONS AND DEFECTS IN HARDWARE IS LIMITED TO REPAIR AND REPLACEMENT AS SET FORTH IN THIS LIMITED WARRANTY STATEMENT. THESE WARRANTIES GIVE YOU SPECIFIC LEGAL RIGHTS, AND YOU MAY ALSO HAVE OTHER RIGHTS, WHICH VARY FROM STATE TO STATE (OR JURISDICTION TO JURISDICTION).

DELL DOES NOT ACCEPT LIABILITY BEYOND THE REMEDIES SET FORTH IN THIS LIMITED WARRANTY STATEMENT OR LIABILITY FOR INCIDENTAL OR CONSEQUENTIAL DAMAGES, INCLUDING WITHOUT LIMITATION ANY LIABILITY FOR PRODUCTS NOT BEING AVAILABLE FOR USE OR FOR LOST DATA OR SOFTWARE.

SOME STATES (OR JURISDICTIONS) DO NOT ALLOW THE EXCLUSION OR LIMITATION OF INCIDENTAL OR CONSEQUENTIAL DAMAGES, SO THE PRECEDING EXCLUSION OR LIMITATION MAY NOT APPLY TO YOU.

These provisions apply to Dell's three-year limited warranty only. For provisions of any service contract covering your system, refer to your invoice or the separate service contract that you will receive.

If Dell elects to exchange a system or component, the exchange will be made in accordance with Dell's Exchange Policy in effect on the date of the exchange. In any instance in which Dell issues a Return Material Authorization Number, Dell must receive the product(s) for repair prior to the expiration of the warranty period in order for the repair(s) to be covered by the limited warranty.



*NOTE: If you chose one of the available warranty and service options in place of the standard three-year limited warranty described in the preceding text, the option you chose will be listed on your invoice.*

### **“Total Satisfaction” Return Policy (U.S. and Canada Only)**

If you are an end-user customer who bought new products directly from a Dell company, you may return them to Dell within 30 days of the date of invoice for a refund or credit of the product purchase price. If you are an end-user customer who bought reconditioned or refurbished products from a Dell company, you may return them to Dell within 14 days of the date of invoice for a refund or credit of the product purchase price. In either case, the refund or credit will not include any shipping and handling charges shown on your invoice. If you are an organization that bought the products under a written agreement with Dell, the agreement may contain different terms for the return of products than specified by this policy.

To return products, you must call Dell Customer Service to receive a Credit Return Authorization Number. Refer to Chapter 5, “Getting Help,” or the section titled “Contacting Dell” in your system *Help* to find the appropriate telephone number for obtaining customer assistance. To expedite the processing of your refund or credit, Dell expects you to return the products to Dell in their original packaging within five days of the date that Dell issues the Credit Return Authorization Number. You must also prepay shipping charges and insure the shipment or accept the risk of loss or damage during shipment. You may return software for refund or credit only if the sealed package containing the diskette(s) or CD(s) is unopened. Returned products must be in as-new condition, and all of the manuals, diskette(s), CD(s), power cables, and other items included with a product must be returned with it. For customers who want to return, for refund or credit only, either applications software or an operating system that has been installed by Dell, the whole system must be returned, along with any media and documentation that may have been included in the original shipment.

This "Total Satisfaction" Return Policy does not apply to DellWare products, which may be returned under DellWare's then-current return policy. In addition, reconditioned parts purchased through Dell Spare Parts Sales in Canada are nonreturnable.



Dell™ Inspiron™

# アドバンスポートリプリケーター ユーザーズガイド

## メモ、注意、警告

本書では、ゴシック体で表記し、アイコンをつけて表示している箇所があります。これらはメモ、注意、および警告であり、使い方は次のとおりです。



**メモ**：操作上、知っておくと便利な情報が記載されています。

**注意**：ハードウェアの破損またはデータの損失の可能性があることを示します。また、その問題を回避するための方法も示されています。



**警告**：問題を回避しないと、軽～中程度のけがを負う危険性があることを示します。

---

本書の内容は予告なく変更されることがあります。  
© 1999-2000 すべての著作権は Dell Computer Corporation にあります。

Dell Computer Corporation からの書面による許可無しには、いかなる方法においてもこのマニュアルの複写、転載を禁じます。

本書に使用されている商標：Dell、DELL のロゴ、BE DIRECT、Inspiron および DellWare は Dell Computer Corporation の商標です。Microsoft、Windows および Windows NT は Microsoft Corporation の登録商標です。3Com は 3Com Corporation の登録商標です。

本書では、上記記載以外の商標や会社名が使用されている場合があります。これらの商標や会社名は、一切 Dell Computer Corporation に所属するものではありません。





# 目次

|  |      |
|--|------|
| アドバンスポートリプリケータ I/O コネクタ .....                          | 2-1  |
| アドバンスポートリプリケータボタンおよびインジケータ .....                       | 2-4  |
| 外付けデバイスのアドバンスポートリプリケータへの取り付け .....                     | 2-4  |
| コンピュータのアドバンスポートリプリケータへの取り付け .....                      | 2-5  |
| コンピュータのドッキング .....                                     | 2-6  |
| コンピュータの取り外し .....                                      | 2-7  |
| モニタスタンド .....  | 2-9  |
| 安全にお使いいただくための注意 .....                                  | 2-10 |
| 仕様 .....   | 2-12 |
| 認可機関の情報 .....  | 2-14 |
| FCC 規定 (U.S. 向け) .....                                 | 2-15 |
| クラス A .....  | 2-16 |
| クラス B .....  | 2-16 |
| IC 規定 (カナダ向け) .....                                    | 2-17 |
| CE 規定 (EU 向け) .....                                    | 2-17 |
| EN 55022 対応 (チェコ向け) .....                              | 2-18 |
| VCCI 規定 (情報処理装置等電波障害自主規制協議会規定) (日本向け) ...              | 2-18 |
| クラス A 情報技術装置基準 .....                                   | 2-19 |
| クラス B 情報技術装置基準 .....                                   | 2-19 |
| MOC 規定 (韓国向け) .....                                    | 2-19 |
| クラス A デバイス .....                                       | 2-20 |
| クラス B デバイス .....                                       | 2-20 |
| Polish Center のテストおよび検定規定 (ポーランド向け) .....              | 2-20 |
| Wymagania Polskiego Centrum Badań i Certyfikacji ..... | 2-21 |

|   |      |
|---|------|
| Pozostałe instrukcje bezpieczeństwa .....           | 2-21 |
| NOM 情報 (メキシコ向け) .....                               | 2-22 |
| Información para NOM (únicamente para México) ..... | 2-22 |

図

|        |                                   |      |
|--------|-----------------------------------|------|
| 図 2-1  | アドバンスポートリプリケータ背面の I/O コネクタ .....  | 2-2  |
| 図 2-2  | オーディオライン出力コネクタ .....              | 2-3  |
| 図 2-3  | ボタンおよびインジケータ .....                | 2-4  |
| 図 2-4  | コンピュータのドッキング .....                | 2-7  |
| 図 2-5  | コンピュータの取り外し .....                 | 2-8  |
| 図 2-6  | モニタスタンドを取り付けたアドバンスポートリプリケータ ..... | 2-9  |
| 図 2-7  | VCCI クラス A 情報技術装置基準認可機関マーク .....  | 2-19 |
| 図 2-8  | VCCI クラス B 情報技術装置基準認可機関マーク .....  | 2-19 |
| 図 2-9  | MOC クラス A マーク .....               | 2-20 |
| 図 2-10 | MOC クラス B マーク .....               | 2-20 |

表

|       |                    |      |
|-------|--------------------|------|
| 表 2-1 | 外付け I/O コネクタ ..... | 2-2  |
| 表 2-2 | 仕様 .....           | 2-12 |



# Dell™ Inspiron™

## アドバンスポートリプリケーター ユーザーズガイド

アドバンスポートリプリケーター (APR) を使って、お使いのコンピュータのデスクトップ環境をすばやく簡単に整えることができます。本書の手順に従って、外付けデバイスをアドバンスポートリプリケーターに取り付け、お使いのコンピュータをアドバンスポートリプリケーターに接続してください。



**メモ：**お使いのアドバンスポートリプリケーターに BIOS (基本入出力システム) のアップグレードディスクが付属されている場合は、付属のディスクを使って BIOS のアップグレードを行ってからコンピュータをアドバンスポートリプリケーターに接続してください。アップグレードの手順については BIOS アップグレードディスクに付属のマニュアルを参照してください。

**注意：**コンピュータがアドバンスポートリプリケーターにドッキングされている状態でコンピュータを持ち上げないでください。ドッキングコネクタが破損する恐れがあります。アドバンスポートリプリケーターを取り外す手順については、本書で後述する「コンピュータからの取り外し」を参照してください。

## アドバンスポートリプリケーター I/O コネクタ

アドバンスポートリプリケーター (図 2-1 および 2-2 参照) の背面および側面にある I/O コネクタ (入出力コネクタ) は、お使いのコンピュータの背面および側面にあるプライマリコネクタと同じものです。

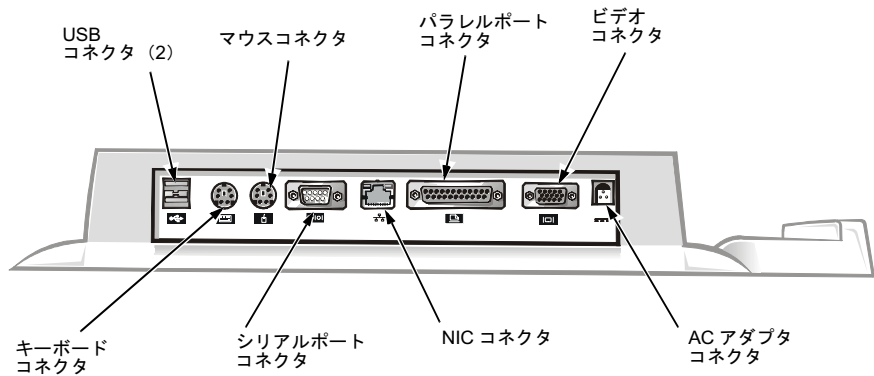




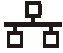




図 2-1 アドバンスポートリプリケーター背面の I/O コネクタ

表 2-1 では、アドバンスポートリプリケーターの背面にある各コネクタのアイコンと、それぞれのコネクタに接続できる外付けデバイスのタイプを示します。

表 2-1 外付け I/O コネクタ

| コネクタ<br>アイコン  | コネクタの種類  |
|---|--|
|    | USB マウスなどの 2 台までの USB デバイスは、デュアル USB コネクタに接続します。 |
|    | 外付け PS/2 型キーボード、または外付け数字キーパッドはキーボードコネクタに接続します。   |
|  | 外付け PS/2 互換マウスは PS/2 マウスコネクタに接続します。              |
|  | シリアルマウスや外付けモデムなどのシリアルデバイスは、シリアルポートコネクタに接続します。    |
|  | ネットワークインタフェースケーブルは、NIC コネクタに接続します。               |
|  | プリンタなどのパラレルデバイスは、パラレルポートコネクタに接続します。              |
|  | 外付けモニタは、ビデオコネクタに接続します。                           |

## 表 2-1 外付け I/O コネクタ



アドバンスポートリプリケータに付属の AC アダプタは、AC アダプタコネクタに接続します。

メモ：本表で使用される略語の正式名については、システムヘルプの「用語集」を参照してください。

オーディオライン出力コネクタはアドバンスポートリプリケータの側面にあります (図 2-2 参照)。

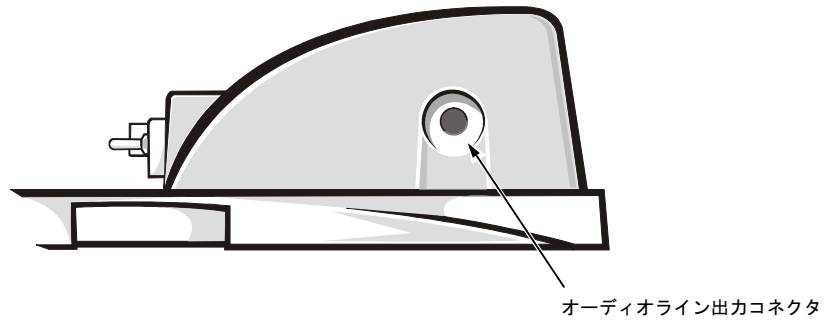


図 2-2 オーディオライン出力コネクタ

# アドバンスポートリプリケータボタンおよびインジケータ

アドバンスポートリプリケータについているボタンとインジケータについては図 2-3 に示しています。

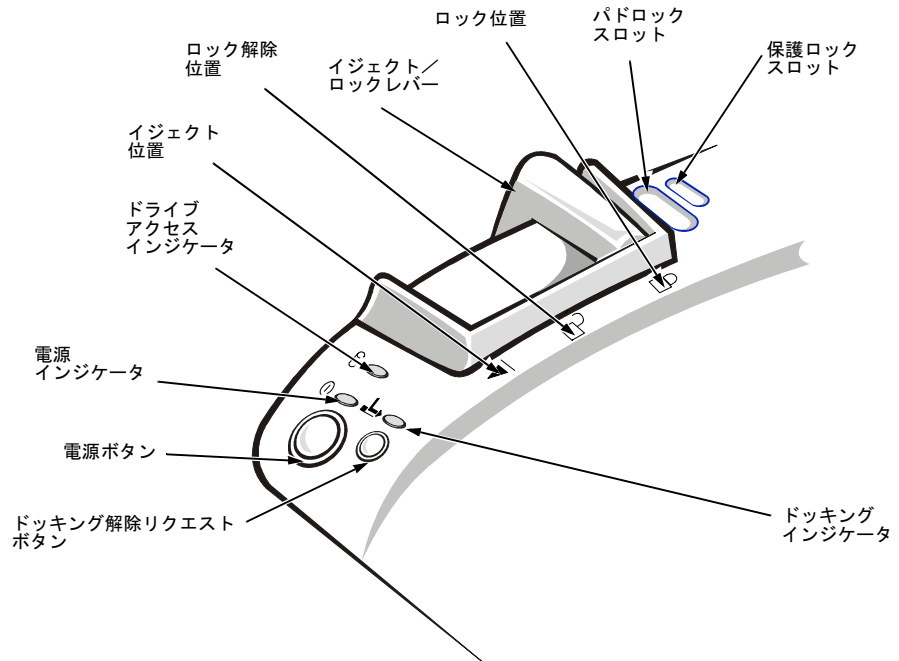


図 2-3 ボタンおよびインジケータ

## 外付けデバイスのアドバンスポートリプリケータへの取り付け

外付けデバイスをアドバンスポートリプリケータに取り付けるには、次の手順を実行します。

1. 図 2-1 を参照して、外付けデバイスをアドバンスポートリプリケータ背面の適切なコネクタに接続します。



メモ：外付けデバイスのケーブルコネクタに蝶ネジが付いている場合、接続を確実にするために必ずネジを締めてください。

お使いのコンピュータで外付けデバイスをご使用になる際の詳細については、システムヘルプの「外付けデバイスの接続」を参照してください。

2. 外付けデバイスを適切なコンセントに接続します。

## コンピュータのアドバンスポートリプリケータへの取り付け

コンピュータをアドバンスポートリプリケータに取り付けたり、電源を入れる前には、必ず AC アダプタをアドバンスポートリプリケータに接続してください。AC アダプタはアドバンスポートリプリケータとコンピュータに、同時に電力を供給します。アドバンスポートリプリケータの使用中は、コンピュータに取り付けられているすべてのバッテリーは充電されます。

**注意：**必ずアドバンスポートリプリケータに付属の Dell 製 AC アダプタをお使いください。(AC アダプタ底面にあるモデル番号 PA - 6 をご覧ください) 市販の AC アダプタまたは旧型の Dell コンピュータの AC アダプタをお使いの場合は、アドバンスポートリプリケータまたはコンピュータを破損する恐れがあります。

初めてコンピュータをアドバンスポートリプリケータに取り付ける場合は、必ずオペレーティングシステムのセットアップ手順を完了してからおこなってください。オペレーティングシステムがセットアップを完了したことを確認するには、以下の手順を実行します。

1. コンピュータがアドバンスポートリプリケータに取り付けられていないことを確認します。
2. コンピュータの電源を入れます。
3. お使いのコンピュータのオペレーティングシステムがセットアップを完了したことを確認します。セットアップの手順については、お使いのコンピュータに付属の『セットアップガイド』を参照してください。
4. コンピュータの電源を切ります。

お使いのコンピュータにアドバンスポートリプリケータを取り付けることができるようになりました。以下の項目「コンピュータのドッキング」では取り付け方法について説明します。

## コンピュータのドッキング

お使いのコンピュータをアドバンスポートリプリケータに取り付ける（またはドッキングする）には、以下の手順を実行します。

1. オペレーティングシステムがセットアップを完了したことを確認します。  
セットアップの手順については、お使いのコンピュータに付属の『セットアップガイド』を参照してください。
2. 開いているすべてのファイルを保存して閉じ、実行中のすべてのアプリケーションプログラムを終了して、コンピュータをシャットダウンします。
3. AC アダプタをアドバンスポートリプリケータにあるコネクタ（図 2-1 参照）に接続し、それから AC 電源ケーブルをコンセントに差し込みます。
4. 図 2-4 を参照して、コンピュータの背面がアドバンスポートリプリケータのドッキングコネクタに向かい合うように、コンピュータをアドバンスポートリプリケータのプラットフォーム上の中央に、水平に置きます。
5. コンピュータ底面にある溝が対応するレールにしっかりと固定するまで、コンピュータをコネクタの方にスライドさせます。

注意：コンピュータがしっかりとレールにはまっていない状態でコンピュータをアドバンスポートリプリケータに押し入れると、コンピュータのドッキングコネクタが修復不可能な損傷をうける恐れがあります。



メモ：モニスタンドを取り付けている場合、そのレールやドッキングコネクタが見えない場合があります。

6. ドッキングコネクタが完全に固定されるまでコンピュータを静かに前に押し込みます。



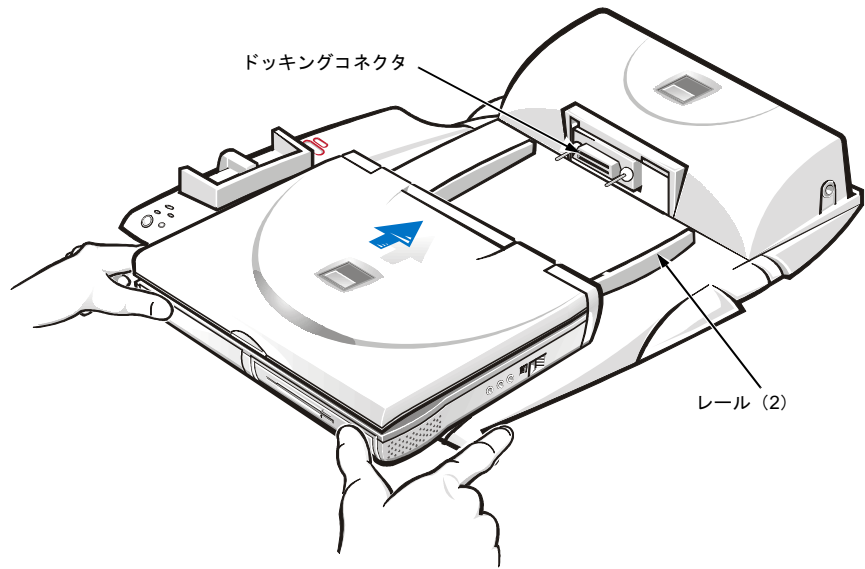


図 2-4 コンピュータのドッキング

## コンピュータの取り外し

アドバンスポートリプリケータからコンピュータを取り外すには、以下の手順を実行します。

1. 作業中の全てのファイルを保存し、アプリケーションプログラムをすべて終了します。

注意：コンピュータに充電されたバッテリーが取り付けられてない場合は、アドバンスポートリプリケータからコンピュータを取り外す際にコンピュータの電源が切れ、保存していないすべてのデータは失われます。

注意：コンピュータを取り外す準備が終わるまでは、絶対にコンピュータおよびアドバンスポートリプリケータを取り外さないでください。以下にあげる3つの方法のいずれかでデータ転送を終了し、オペレーティングシステム、ネットワーク、および記憶装置を接続解除できる状態にします。データ送信を終了する前にコンピュータを取り外すと、データが失われ、通常操作が回復するまでに数分かかることがあります。

2. コンピュータをアドバンスポートリプリケータから取り外すには、以下の手順のいずれかを実行します。

- コンピュータのキーボードの <Fn><Esc> キー（外付けキーボードの場合は <Scroll Lock><Esc> キー）を押します。

2、3秒後に、コンピュータの電源インジケータのランプが消えます。

- Microsoft® Windows® 98またはWindows 2000オペレーティングシステムをお使いの場合は、[スタート] ボタンをクリックし、それから [PCの取り出し] をクリックします。Microsoft Windows NT® オペレーティングシステムをお使いの場合は、ドッキングアイコンをクリックしてから、[ドッキング解除] をクリックし、コンピュータをスタンバイモードにします。

2、3秒後に、コンピュータの電源インジケータのランプが消えます。

- アドバンスポートリプリケータにあるドッキング解除リクエストボタンを押します（図 2-5 参照）。

緑色のドッキングインジケータが消えます。

3. アドバンスポートリプリケータの左側にあるイジェクト/ロックレバーをイジェクト位置にスライドさせて、コンピュータをアドバンスポートリプリケータから取り外します（図 2-5 参照）。

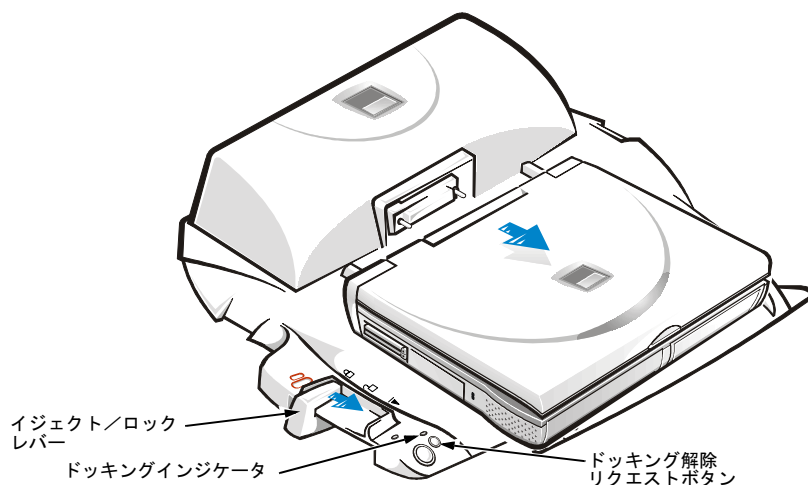


図 2-5 コンピュータの取り外し

## モニタスタンド

モニタスタンドのセットアップについては図 2-6 に示しています。

注意：スタンドには最高 45.3 キロまでのモニタを載せることができます。45.3 キロを越えるモニタを載せると、スタンド、コンピュータおよびアドバンスポートリプリケータを破損する恐れがあります。



メモ：モニタスタンドの後方の足がドッキングコントロールベースのどちらかのスロットに固定されていることを確認してください。

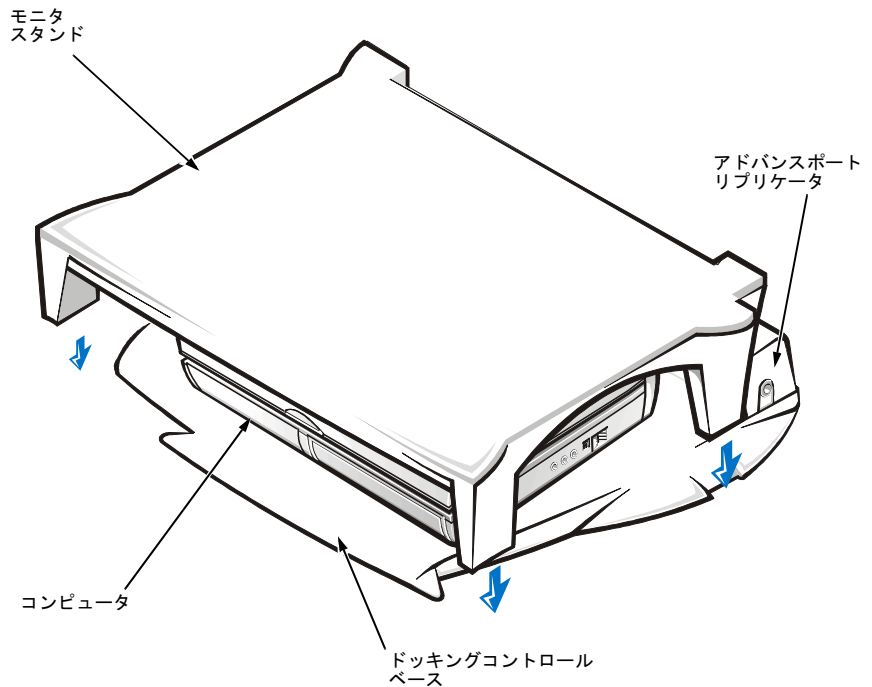


図 2-6 モニタスタンドを取り付けたアドバンスポートリプリケータ

## 安全にお使いいただくための注意

アドバンスポートリプリケータの損傷を回避し、安全にお使いいただくために以下の点にご注意ください。

- ご自身でアドバンスポートリプリケータを修理しないでください。必ず取り付けの指示に従ってください。
- **AC アダプタ電源ケーブル**に物が載っていないことを確認してください。
- ケーブルは人が踏んだりつまずいたりしない場所に設置してください。
- アドバンスポートリプリケータの電源を入れる場合は、**AC アダプタ**を机の上や床などの通気性の良い場所に置いてください。**AC アダプタ**の冷却を妨げる恐れのある紙、またはその他の物で**AC アダプタ**を覆わないでください。キャリングケース内では**AC アダプタ**を使用しないでください。
- アドバンスポートリプリケータを濡らす恐れのある環境（バスタブ、台所の流し、プールなど）、または多湿な地下室で使用しないでください。
- アドバンスポートリプリケータの通気孔や開口部には何も入れないでください。内部の部品がショートして発火や感電の原因になります。
- 本書で許可された**AC アダプタのみ**をお使いください。異なるタイプの**AC アダプタ**を使用すると、発火や破裂の危険性があります。
- アドバンスポートリプリケータを電源に接続する前に、必ず**AC アダプタ**の電圧がお使いになる電源と合っているかを確認してください。
  - 北米、南米、および韓国、台湾などの極東地域では **115 V / 60 Hz**
  - 東日本では **100 V / 50 Hz**、西日本では **100 V / 60 Hz**
  - ほとんどのヨーロッパ諸国、中東、および上記以外の極東では **230 V / 50 Hz**
- 感電の危険を避けるため、**AC アダプタ**と電源ケーブルを正しくアースされているコンセントに接続してください。これらの電源ケーブルには、正しくアースするために、三芯プラグが使用されています。アダプタプラグを使用したりケーブルからアース用のピンを取り外さないでください。延長ケーブルを使う場合は、アース用プラグの付いた**3 線式ケーブル**を使用してください。
- **AC アダプタ**を延長ケーブルでお使いになる場合は、延長ケーブルを差し込んでいる製品のアンペアの合計値が、延長ケーブルのアンペア値を越えていないことを確認してください。

- アドバンスポートリプリケータの電源を切るには、コンピュータの電源を切り、コンセントから AC アダプタを取り外します。
- 感電の危険を避けるため、雷雨の場合はケーブルの取り付けや取り外し、本製品のメンテナンスや再構成をおこなわないでください。
- アドバンスポートリプリケータは、平らな場所に置いて作業してください。
- アドバンスポートリプリケータは、極端な高温や低温、汚れ、ほこり、食べ物、液体、長時間の直射日光などから保護するよう注意してください。
- 温度や湿度が大きく異なる場所にアドバンスポートリプリケータを移動させると、外部または内部に結露することがあります。アドバンスポートリプリケータの損傷を避けるために、コンピュータを使用する前には十分に時間をかけて湿気を蒸発させてください。

**注意：アドバンスポートリプリケータを極端に温度差の大きい環境に移動させる場合は、室温が戻ってから電源を入れてください。**

- ケーブルを抜く際は、ケーブルそのものをつかむのではなく、コネクタまたは保護ケーブルをつかんで抜いてください。コネクタを外す際には、ピンを曲げないように真っ直ぐ引き抜いてください。また、ケーブルを接続する前に、両方のコネクタの形状や向きが合っていることを確認してください。
- アドバンスポートリプリケータをクリーニングする場合は、電源を切り、コンセントからプラグを抜きます。
- アドバンスポートリプリケータは、液体クリーナーやスプレーではなく、水で湿らせた柔らかい布で拭いてください。
- アドバンスポートリプリケータを濡らしたり、落としたりした場合は『リファレンス&トラブルシューティングガイド』の第3章を参照してください。手順を実行しても、コンピュータが正常に動作していないことを確認した場合は、**Dell** テクニカルサポートにお問い合わせください（お問い合わせ電話番号は、『リファレンス&トラブルシューティングガイド』の第5章「困ったときは」を参照してください）。

# 仕様

表 2-2 では、お使いのアドバンスポートリプリケータの仕様について記載しています。

表 2-2 仕様

|                 | 寸法      |
|-----------------|---------|
| 高さ：             |         |
| モニタスタンド付き ..... | 10.2 cm |
| スタンドアロン .....   | 5.8 cm  |
| 奥行き：            |         |
| モニタスタンド付き ..... | 39.0 cm |
| スタンドアロン .....   | 35.8 cm |
| 幅：              |         |
| モニタスタンド付き ..... | 37.5 cm |
| スタンドアロン .....   | 40.9 cm |

メモ：本表で使用される略語の正式名については、システムヘルプの「用語集」を参照してください。

表 2-2 仕様 (続き)

| 寸法 (続き)  |  |
|--|--|
| 重量 :   |  |
| モニタスタンド付き .....                                  | 3.0 kg                                   |
| スタンドアロン .....                                    | 1.6 kg                                   |
| I/O コネクタ   |  |
| シリアル (DTE) .....                                 | 9 ピンコネクタ                                 |
| パラレル .....                                       | 25 穴コネクタ                                 |
| PS/2 型キーボード/キーパッド .....                          | 6 穴 PS/2 キーボードコネクタ                       |
| PS/2 互換マウス .....                                 | 6 穴 PS/2 マウスコネクタ                         |
| ビデオ .....  | 15 穴コネクタ                                 |
| オーディオ .....                                      | スピーカー出力 (オプションのヘッドフォン用)                  |
| USB (デュアル) .....                                 | 4 ピンコネクタ × 2                             |
| DC-IN .....                                      | コネクタ × 1                                 |
| ドッキングコネクタ .....                                  | 240 ピンコネクタ                               |
| NIC .....  | RJ-45 コネクタ                               |
| イーサネットネットワークコントローラ                               |  |
| チップセット .....                                     | 3Com® 3C920; 10/100 BASE-TX<br>(PC98 対応) |
| データバス幅 .....                                     | 32 ビット PCI ホストバスインタフェース                  |
| IRQ .....  | IRQ10                                    |
| 電源   |  |
| ボルト数 .....                                       | AC アダプタから 20 VDC が必要                     |
| アンペア数 .....                                      | 3.5 A                                    |
| メモ : 本表で使用される略語の正式名については、システムヘルプの「用語集」を参照してください。 |  |

## 認可機関の情報

電磁妨害雑音 (EMI; Electromagnetic Interference) とは、自由空間に放射または電源コードや信号線に伝導する信号あるいは放射電磁波のことで、無線航法やその他の安全サービスを危険にさらしたり、認可された無線通信サービスの著しい品位低下、妨害、あるいは度重なる中断を発生させます。無線通信サービスとは、AM/FM の商業放送、テレビ、および携帯電話の各種サービス、レーダー、航空交通管制、ポケットベル、Personal Communication Services (PCS) などがありますが、これらに限定されません。これらの認可サービスは、コンピュータシステムを含むデジタルデバイスなどの意図的ではない放射装置とともに、電磁環境に影響を与えます。

電磁整合性 (EMC; Electromagnetic Compatibility) とは、多数の電子機器が同一の環境で一緒に正常に動作する能力のことです。本コンピュータシステムは、認可機関の EMI に関する制限に準拠する設計がなされており、適合していますが、特定の設置条件で干渉が発生しないという保証はありません。この装置が無線通信サービスに対して干渉するかどうかはその装置の電源をオン/オフすることによって判定できますので、以下の方法を 1 つ以上実施してみてください。

- 受信アンテナの方向を変えてください。
- 受信機に対してコンピュータを再配置してください。
- 受信機からコンピュータを遠ざけてください。
- コンピュータを別のコンセントにつないで、コンピュータと受信機を別々の分岐回路上に置いてください。

必要があれば、Dell Computer Corporation のテクニカルサポート、またはテレビ・ラジオ関連の技術者に相談して助言を受けてください。『FCC Interference Handbook, 1986』をご覧になるのも良いでしょう。こちらは、U.S. Government Printing Office, Washington, DC 20402, Stock No. 004-000-00450-7 またはウェブサイトの <http://www.fcc.gov/Bureaus/Compliance/WWW/tvibook.html> から入手できます。

Dell のコンピュータシステムは、下記の使用環境目的に合わせた設計、試験、類別がなされています。これらの電磁環境の類別は、一般に次の統一定義を表しています。

- クラス A (クラス A 情報技術装置基準) — 商工業環境用。
- クラス B (クラス B 情報技術装置基準) — 住宅環境用。

情報技術機器 (ITE; Information Technology Equipment) は、周辺機器、拡張カード、プリンタ、入出力 (I/O) デバイス、モニタなどを含み、システムに統合または接続



されるもので、コンピュータシステムの電磁環境の類別に適合しなければなりません。

**シールド付き信号ケーブルに関する告知：**周辺機器を Dell 製デバイスへ接続するにはシールド付きケーブルのみを使用して、無線通信サービスとの干渉の可能性を減らしてください。シールド付きケーブルの使用により、目的とする環境に適した EMC 分類基準を満たします。

**ネットワークに接続されたコンピュータに関する告知：**Dell 製コンピュータでクラス B に分類されているシステムには、オンボードネットワークインタフェースコントローラ (NIC) を搭載しているものがあります。ご使用のシステムがクラス B でその NIC がネットワークに接続されている場合、クラス A のシステムとみなされる場合もありますが NIC がネットワークに接続されていない場合は、ご使用のシステムはクラス B のデジタルデバイスとみなされます。

大半の Dell 製コンピュータシステムは、クラス B 環境に分類されています。お使いのシステムまたはデバイスの電磁的類別を確認するには、個々の認可機関に関する以下の各項を参照してください。以下の各項には、各国別の EMC/EMI または製品の安全に関する情報が記載されています。

## FCC 規定 (U.S. 向け)

大半の Dell 製コンピュータシステムは、連邦通信委員会 (FCC) の定めるクラス B デジタルデバイスに分類されています。しかし、一定のオプションが付加されている場合、一部の構成はクラス A の類別に変更されることがあります。お手元のコンピュータシステムにどちらの類別が適用されているかを確認するには、コンピュータの底部または背面パネル、カード取り付け用ブラケット、およびカード本体に添付されている FCC 登録ラベルをすべて調べてください。1 枚でもクラス A 分類が付いていれば、システムはクラス A デジタルデバイスとみなされます。すべての FCC ID 番号または FCC ロゴ (FCC) を調べ、それらがすべて FCC クラス B 分類の場合、そのシステムはクラス B デジタルデバイスとみなされます。

お手元のシステムの FCC 類別を確認して、該当する FCC 規定をお読みください。FCC 規則では、Dell Computer Corporation によって明確に許可されていない変更や修正を行った場合、そのデバイスを使用する権限が無効になることがあると規定されていますのでご注意ください。

本デバイスは、FCC 規則パート 15 に準拠しています。以下の 2 つの条件にしたがって使用してください。

- 本デバイスは、有害な電波障害を発生させてはならない。
- 本デバイスは、望ましくない動作を引き起こすものを含め、あらゆる電波障害を受容できなければならない。

## クラス A

本デバイスは、試験の結果、FCC 規則パート 15 に準拠するクラス A デジタルデバイスの規制に適合しています。これらの規制は、デバイスが商用環境で使用されたときに適切な受信障害防止策を提供することを目的としています。本デバイスは、無線周波エネルギーを発生、使用し、放射することがあります。製造者の取扱説明書にしたがって設置および使用されない場合、無線通信に重大な受信障害を引き起こすことがあります。本デバイスを住宅環境で使用すると、電波障害を引き起こすことがあります。この場合には使用者が適切な対策を講ずるよう要求されることがあります。

## クラス B

本デバイスは、試験の結果、FCC 規則パート 15 に準拠するクラス B デジタルデバイスの規制に適合しています。これらの規制は、住宅環境で使用されたときに適切な受信障害防止策を提供することを目的としています。本デバイスは、無線周波エネルギーを発生、使用し、放射することがあります。製造者の取扱説明書にしたがって設置および使用されない場合、無線通信の受信障害を引き起こすことがあります。しかし、特定の設置条件では障害が発生しないことを保証するものではありません。本デバイスのスイッチをオンオフすることにより、本デバイスがラジオやテレビに受信障害を引き起こしていることが確認された場合は、次の方法の 1 つまたはいくつかをお試しになるようお勧めします。

- 受信アンテナの向きを変えるか設置場所を変更します。
- デバイスと受信機の間隔をあけます。
- デバイスの電源を、受信機の接続されているコンセントとは別のコンセントに差し込みます。
- ディーラーまたは経験を積んだラジオまたはテレビ技術者に相談します。

以下の情報は、FCC 規則に準拠する本マニュアルで取り扱うデバイスに関するものです。

- 機種番号 : PRX
- 会社名 : Dell Computer Corporation  
EMC Engineering Department  
One Dell Way  
Round Rock, Texas 78682 USA  
512-338-4400

## IC 規定 (カナダ向け)

大半の Dell 製コンピュータ (およびその他の Dell 製デジタル機器) は、カナダ産業 (IC) 電波障害発生装置規格 #3 (ICES-003) でクラス B デジタルデバイスに分類されています。お手元のコンピュータシステム (またはその他の Dell 製デジタル機器) にどちらの類別 (クラス A または B) が適用されているかを確認するには、お手元のコンピュータ (またはその他のデジタル機器) の底部または背面パネルに添付されている登録ラベルをすべて調べてください。これらのラベルの 1 枚に、「IC クラス A ICES-003」または「IC クラス B ICES-003」の様式による記載があります。カナダ産業規則では、Dell Computer Corporation によって明確に許可されていない変更や修正を行った場合、その装置を使用する権限が無効になることがあると規定されていますのでご注意ください。

このクラス B (または登録ラベルにクラス A と記載されている場合はクラス A) デジタルデバイスは、カナダ電波障害発生装置規則の要件を満たしています。

Cet appareil numérique de la Classe B (ou Classe A, si ainsi indiqué sur l'étiquette d'enregistrement) respecte toutes les exigences du Règlement sur le Matériel Brouilleur du Canada.

## CE 規定 (EU 向け)

**CE** マークは Dell のコンピュータシステムが EU の EMC 規定および低電圧規定に適合していることを示しています。これらのマークは Dell システムが以下の技術標準に適合していることを示しています。

- EN 55022 — “情報機器の電波障害特性の計測方法と制限”
- EN 50082-1:1992 — “電磁適合 — 一般免除基準パート 1: 住宅地域、商業地域、軽産業地域”
- EN 60950 — “情報機器の安全性”



メモ：EN 55022 放射条件は 2 つのクラスに規定されます。

- クラス A — 一般的には商業環境用。
- クラス B — 一般的には国内環境用。

この Dell 製装置はクラス B — 国内環境用です。

前述の規制と基準に関する“適合宣言”が行われ、Dell Products Europe BV, Limerick, Ireland にファイルされています。

## EN 55022 対応（チェコ向け）

このデバイスは、ラベルにクラス A デバイスという表記がない限り、EN55022 で規定されたクラス B デバイスです。このデバイスのユーザーは、通信やその他のデバイスへの障害の原因を解消するために必要なすべての手順を行わなければなりません。

**Pokud není na typovém štítku počítače uvedeno, že spadá do třídy A podle EN 55022, spadá automaticky do třídy B podle EN 55022. Pro zařízení zařazená do třídy A (ochranné pásmo 30m) podle EN 55022 platí následující. Dojde-li k rušení telekomunikačních nebo jiných zařízení, je uživatel povinen provést taková opatření, aby rušení odstranil.**

## VCCI 規定（情報処理装置等電波障害自主規制協議会規定）（日本向け）

Dell のコンピュータシステムの大部分は、VCCI でクラス B 情報技術装置（住宅またはその隣接した地域にて使用されるべき情報装置）として類別されています。しかし、コンピュータシステムに特定のオプションを付加することにより、一部の構成はクラス A 情報技術装置（商工業地域にて使用されるべき情報装置）に類別されることもあります。情報技術機器（ITE; Information Technology Equipment）は、周辺機器、拡張カード、プリンタ、入出力（I/O）デバイス、モニタなどを含み、システムに統合または接続されるもので、コンピュータシステムの電磁環境の類別に適合しなければなりません。

お手元のコンピュータシステムにどちらの類別が適用されているかを確認するには、システムの背面パネル、およびカード本体に添付されている VCCI 表示ラベルをすべて調べてください。VCCI の類別を確認できましたら、以下の該当する部分（図 2-7 および 2-8 参照）をご覧ください。

## クラス A 情報技術装置基準

この装置は、情報処理装置等電波障害自主規制協議会 (VCCI) の基準に基づくクラス A 情報技術装置です。この装置を家庭環境で使用すると電波妨害を引き起こすことがあります。この場合には使用者が適切な対策を講ずるよう要求されることがあります。

## VCCI-A

図 2-7 VCCI クラス A 情報技術装置基準認可機関マーク

## クラス B 情報技術装置基準

この装置は、情報処理装置等電波障害自主規制協議会 (VCCI) の基準に基づくクラス B 情報技術装置です。この装置は家庭環境で使用することを目的としていますが、ラジオやテレビジョン受信機に近接して使用されると、受信障害を引き起こすことがあります。  
取扱説明書に従って正しい取り扱いをしてください。



図 2-8 VCCI クラス B 情報技術装置基準認可機関マーク

## MOC 規定 (韓国向け)

ご使用のコンピュータシステム (または Dell デジタルデバイス) にクラス A または B のどちらの類別が適合されているかを確認するには、コンピュータに添付されている MOC ラベルを調べてください。MOC ラベルは、他のラベルとは別の場所にあるかもしれませんが、クラス A には “EMI (A)”、クラス B には “EMI (B)” という英文がラベルの中央に表示されています (図 2-9 および図 2-10 参照)。



メモ : MOC 放射条件は 2 つのクラスに規定されます。

- クラス A — ビジネス環境用。
- クラス B — 非ビジネス環境用。

## クラス A デバイス

| 장치 종류  | 사용자 안내문  |
|--------|--|
| A 급 기기 | 이 장치는 업무용으로 전자파 적합등록을 한 장치이오니 판매자 또는 사용자는 이 점을 주의하시기 바라며 만약 잘못 판매 또는 구입하였을 때에는 가정용으로 교환하시기 바랍니다. |

このデバイスはビジネス向けの使用として電磁障害に関する承認を受けています。ご使用に適さない場合は、非ビジネス向けのデバイスに交換してください。

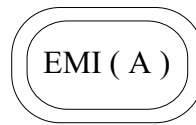


図 2-9 MOC 클래스 A 마크

## クラス B デバイ스

| 장치 종류  | 사용자 안내문   |
|--------|---|
| B 급 기기 | 이 장치는 가정용으로 전자파 적합등록을 한 장치로서 주거지역에서는 물론 모든 지역에서 사용할 수 있습니다. |

このデバイスは非ビジネス向けの使用として電磁障害に関する承認を受けています。住宅地域をはじめ、あらゆる環境でご使用になれます。

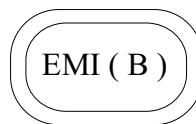


図 2-10 MOC 클래스 B 마크

## Polish Center のテストおよび検定規定（ポーランド向け）

電源に接続するときは保護回路付きのソケット（3ピンソケット）を使用してください。同時に作動させる装置（コンピュータ、モニタ、プリンタなど）の電源は同じ所からとってください。

室内電源の同期管理者によって 16 アンペア以下のヒューズのある回路保護デバイスが設置されなければなりません。

完全に電源を落とすために、電源ケーブルをソケットから取り外してください。それらは、装置の近くで、簡単に取り外せる場所になければなりません。

保護マーク “B” は保護使用基準 PN-93/T-42107 および PN-EN55022:1996 に適合していることを示しています。

## Wymagania Polskiego Centrum Badań i Certyfikacji

Urządzenie powinno być zasilane z gniazda z przyłączonym obwodem ochronnym (gniazdo z kołkiem). Współpracujące ze sobą urządzenia (komputer, monitor, drukarka) powinny być zasilane z tego samego źródła.

Instalacja elektryczna pomieszczenia powinna zawierać w przewodzie fazowym rezerwową ochronę przed zwarciami, w postaci bezpiecznika o wartości znamionowej nie większej niż 16A (amperów).

W celu całkowitego wyłączenia urządzenia z sieci zasilania, należy wyjąć wtyczkę kabla zasilającego z gniazdka, które powinno znajdować się w pobliżu urządzenia i być łatwo dostępne.

Znak bezpieczeństwa "B" potwierdza zgodność urządzenia z wymaganiami bezpieczeństwa użytkownika zawartymi w PN-93/T-42107 i PN-EN55022:1996.

## Pozostałe instrukcje bezpieczeństwa

- Nie należy używać wtyczek adapterowych lub usuwać kołka obwodu ochronnego z wtyczki. Jeżeli konieczne jest użycie przedłużacza to należy użyć przedłużacza 3-żyłowego z prawidłowo połączonym przewodem ochronnym.
- System komputerowy należy zabezpieczyć przed nagłymi, chwilowymi wzrostami lub spadkami napięcia, używając eliminatora przepięć, urządzenia dopasowującego lub bezzaktócenowego źródła zasilania.
- Należy upewnić się, aby nic nie leżało na kablach systemu komputerowego, oraz aby kable nie były umieszczone w miejscu, gdzie można byłoby na nie nadeptywać lub potykać się o nie.
- Nie należy rozlewać napojów ani innych płynów na system komputerowy.
- Nie należy wpychać żadnych przedmiotów do otworów systemu komputerowego, gdyż może to spowodować pożar lub porażenie prądem, poprzez zwarcie elementów wewnętrznych.
- System komputerowy powinien znajdować się z dala od grzejników i źródeł ciepła. Ponadto, nie należy blokować otworów wentylacyjnych. Należy unikać kładzenia luźnych papierów pod komputer oraz umieszczania komputera w ciasnym miejscu bez możliwości cyrkulacji powietrza wokół niego.

## NOM 情報（メキシコ向け）

次の情報は、マニュアルに説明のあるデバイスに提供されたメキシコのスタンダード (NOM) に準拠したものです。

|        |   |
|--------|---|
| 輸出元 :  | Dell Computer Corporation<br>One Dell Way<br>Round Rock, TX 78682   |
| 輸入先 :  | Dell Computer de México,<br>S.A. de C.V.<br>Rio Lerma No. 302 - 4° Piso<br>Col. Cuauhtemoc<br>16500 México, D.F.  |
| 出荷先 :  | Dell Computer de México,<br>S.A. de C.V. al Cuidado<br>de Kuehne & Nagel de<br>México S. de R.I.<br>Avenida Soles No. 55<br>Col. Peñon de los Baños<br>15520 México, D.F. |
| 電圧 :   | 100-240 VAC   |
| 周波数 :  | 60-50 Hz  |
| 消費電力 : | 1.5 A   |

## Información para NOM (únicamente para México)

La información siguiente se proporciona en el dispositivo o en los dispositivos descritos en este documento, en cumplimiento con los requisitos de la Norma Oficial Mexicana (NOM):

|             |   |
|-------------|---|
| Exportador: | Dell Computer Corporation<br>One Dell Way<br>Round Rock, TX 78682   |
| Importador: | Dell Computer de México,<br>S.A. de C.V.<br>Rio Lerma No. 302 - 4° Piso<br>Col. Cuauhtemoc<br>16500 México, D.F.  |
| Embarcar a: | Dell Computer de México,<br>S.A. de C.V. al Cuidado<br>de Kuehne & Nagel de<br>México S. de R.I.<br>Avenida Soles No. 55<br>Col. Peñon de los Baños<br>15520 México, D.F. |



|                          |             |
|--------------------------|-------------|
| Tensión<br>alimentación: | 100-240 VAC |
| Frecuencia:              | 60-50 Hz    |
| Consumo de<br>corriente: | 1.5 A       |

